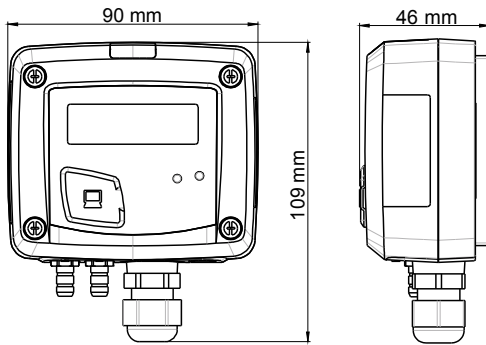


**CP 114 – CP 115**

**KEY POINTS**

- -500/+500 mbar      -20000/+20000mbar      (      )
- 가
- 0~10V active                    ,                    24 Vac/Vdc (3-4 wires)
- or 4-20 mA passive loop                    ,                    16~30 Vdc (2wire)
- ABS V0                    , IP65(                    ),                    가
- "¼ turn" system mounting with wall-mount plate
- 

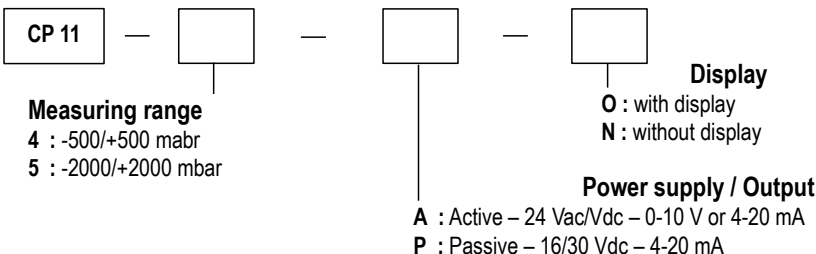


: ABS V0 as per UL94  
 : IP65  
 : LCD 10 digits. Size : 50 x 17 mm  
**Height of digits** : Value : 10 mm ; Unit : 5 mm  
 : ribbed, Ø 6.2 mm  
 : for cables Ø 8 mm maximum  
 : 143 g

	mbar, inWG, mmHG, PSI, mmH <sub>2</sub> O, daPa, hPa, kPa
	±1.5% of reading ±3 mbar
	1/e (63%) 0.3 s
	1 mbar ; 0.1 inWG ; 1 mmHG ; 1 mmH <sub>2</sub> O ; 1 hPa ; 10 daPa ; 0.1 kPa ; 0.1 PSI
	Manual with push-button
	Air and neutral gases
	<b>CP114</b> : 1400 mbar ; <b>CP115</b> : 4100 mbar
	From 0 to +50 °C
	From -10 to +70 °C

\*All the accuracies indicated in this technical datasheet were stated in laboratory conditions, and can be guaranteed for measurements carried out in the same conditions, or carried out with calibration compensation.

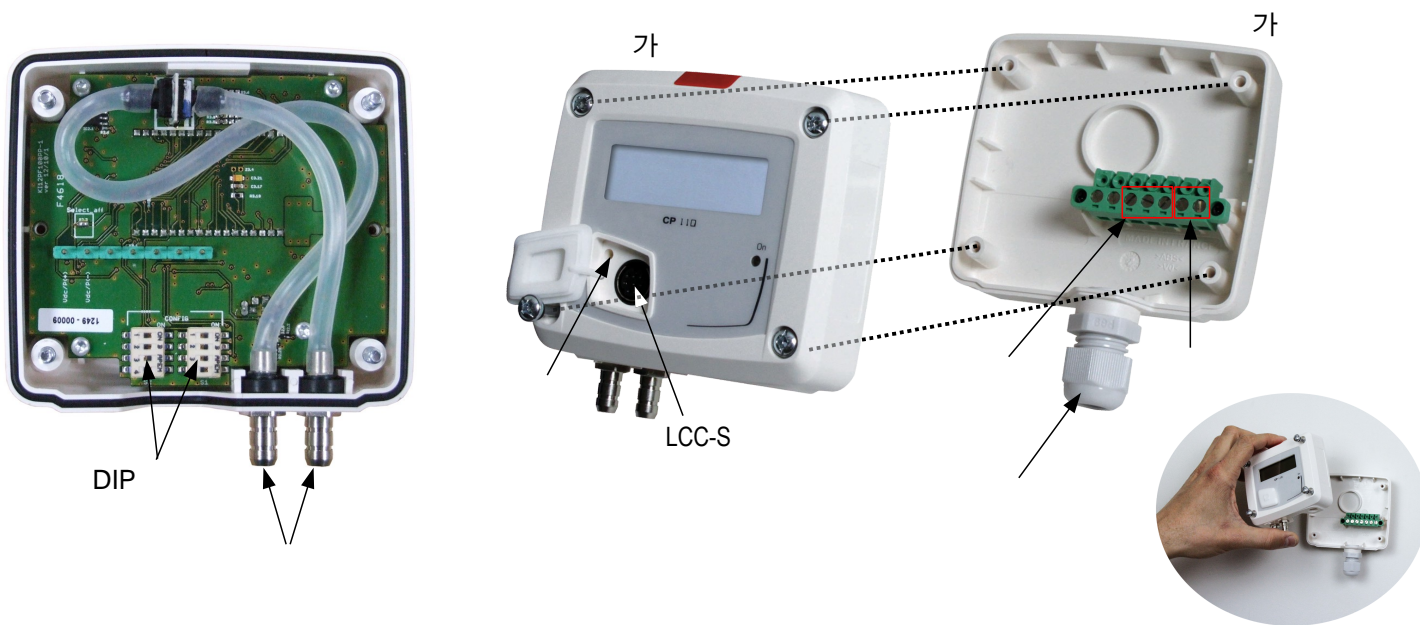
To order, just add the codes to complete the part number :



**Example : CP 114 – AO**

, -500/+500 mbar,  
 0~10V or 4-20mA active

/	<ul style="list-style-type: none"> <li>- active sensor 0-10 V or 4-20 mA (alim. 24 Vac/Vdc <math>\pm</math> 10%), 3-4 wires</li> <li>- passive loop 4-20 mA (power supply 16/30 Vdc), 2 wires</li> <li>- maximum load : 500 Ohms (4-20 mA)</li> <li>- minimum load : 1 K Ohms (0-10 V)</li> </ul> <p>2 VA (0-10 V) or max. 22 mA (4-20 mA)</p>
	EN61326
	Screw terminal block for cables $\varnothing$ 0.05 to 2.5 mm <sup>2</sup>
PC	Kimo USB-mini Din cable
	Air and neutral gases

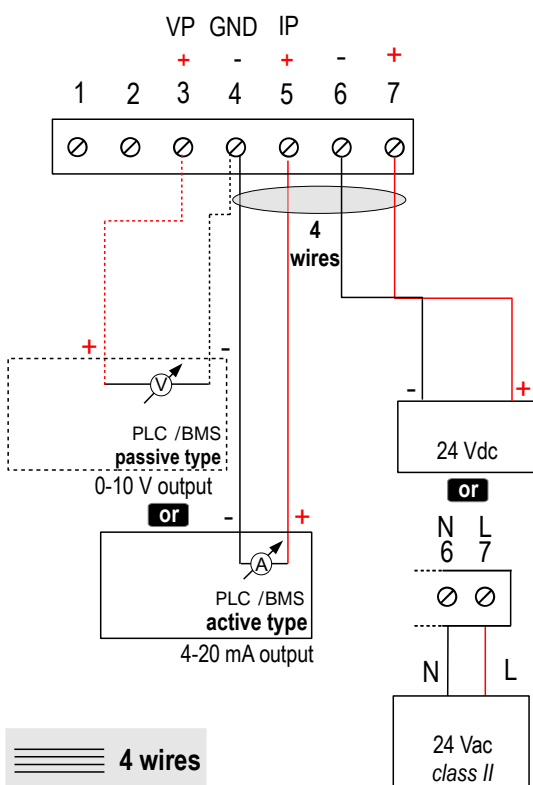


- NFC15-100 standard

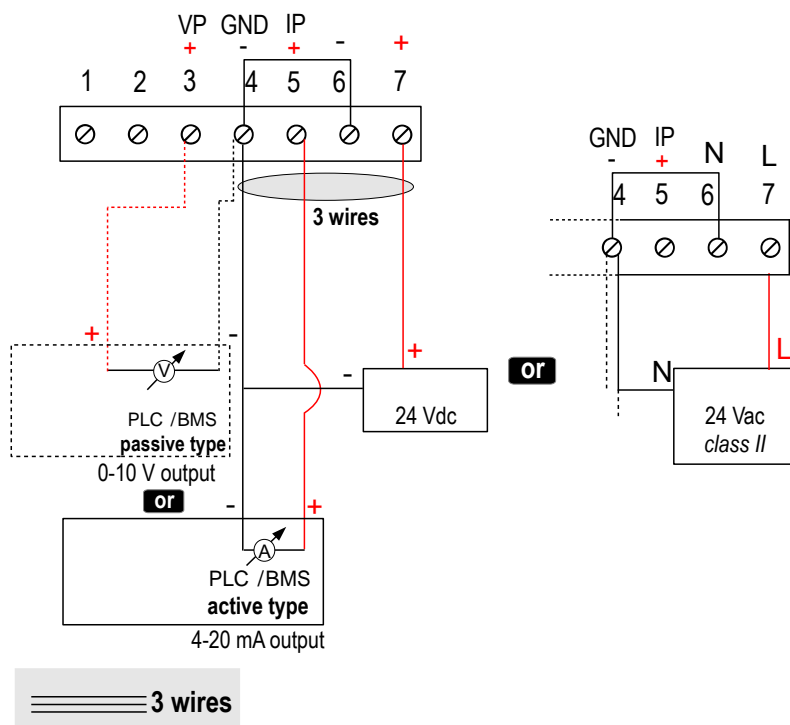


This connection must be made by a qualified technician. **To make the connection, the transmitter must not be energized.**

For CP114/115 – AO models and CP114/115 – AN models with 0-10 V or 4-20 mA output – active, 4 wires :



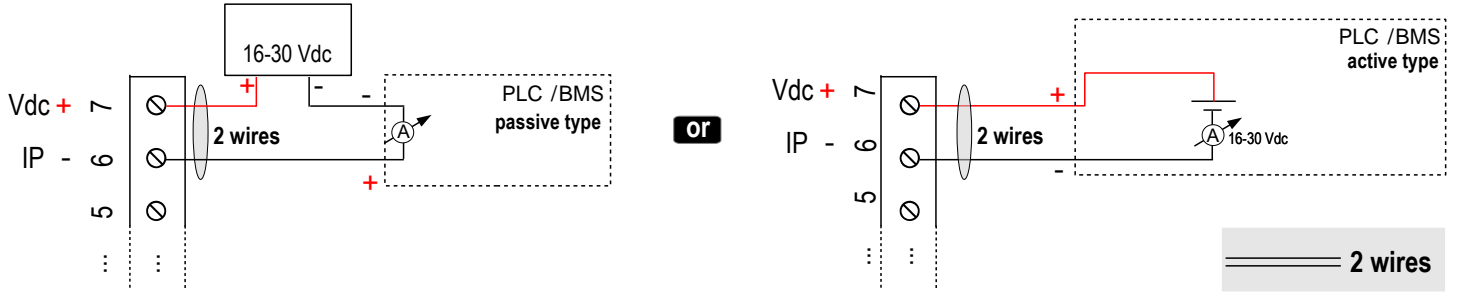
To make a 3-wire connection, before powering up the transmitter, please connect the output ground to the input ground. See drawing below.



≡≡≡≡ 4 wires

≡≡≡≡ 3 wires

For CP114/115 – PO models and CP114/115 – PN models with 4-20 mA output – **passive** :



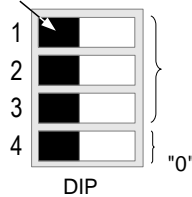
2 " " "Auto.Z"  
 When an autozero has been performed, "On" green light turns off then turns on, and on transmitters equipped with a display, "autoZ" is displayed.



To configure the transmitter, it must not be energized. Then, you can make the settings required, with the DIP switches (as shown on the drawing below). When the transmitter is configured, you can power it up.

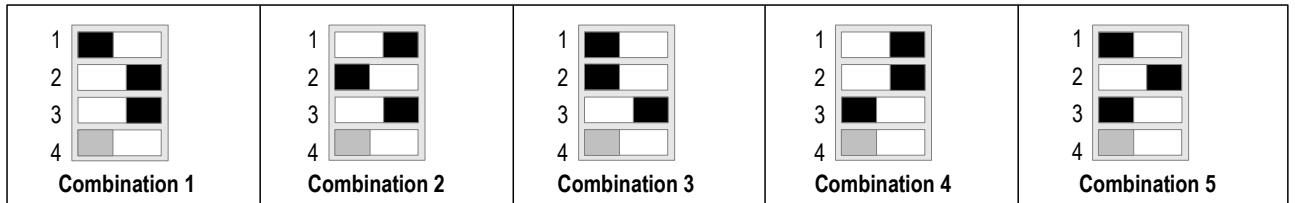
On - off

4  
DIP



DIP

1,2,3 DIP



Type of transmitter	Combination 1		Combination 2		Combination 3		Combination 4		Combination 5	
	CP114	CP115	CP114	CP115	CP114	CP115	CP114	CP115	CP114	CP115
mbar	100	500	200	750	300	1000	400	1500	500	2000
inWG	40.0	200.0	80.0	300.0	120.0	400.0	160.0	600.0	200.00	800.0
kPa	10.0	50.0	20.0	75.0	30.0	100.0	40.0	150.0	50.0	200.0
PSI	2.0	10.0	4.0	15.0	6.0	20.0	8.0	30.0	10.0	40.0
mmHg	80	400	160	600	240	800	320	1200	400	1600
mmH <sub>2</sub> O	1000	5000	2000	7500	3000	10 000	4000	15 000	5000	20000
daPa	1.0	5.0	2.0	7.5	3.0	10.0	4.0	15.0	5.0	20.0
hPa	100	500	200	750	300	1000	400	1500	500	2000

- CP114 +/- 500mbar
- CP115 +/- 2000mbar

Example :

- 0 ~ 750mmH<sub>2</sub>O 750mmH<sub>2</sub>O
- -500 Pa ~ +500 mbar 1000mbar

/ "0"

4 DIP

) 0-100 mbar : /0  
"0"

DIP

(0 / 100 mbar)  
(-50 mbar / 0 / +50 mbar)

	Full scale	Central zero



DIP  
"CONF ERROR"

DIP

DIP (CP114/115 -AO and CP114/115 - AN models)

	4-20 mA	0-10 V
1		
2		
3		
4		

DIP

2,3,4

	mbar	inWG	kPa	PSI	mmHG	mmH <sub>2</sub> O	daPa	hPa
1								
2								
3								
4								

(LCC-S software )

DIP

PC

LCC-S

1		1	
2		2	
3		3	
4		4	



DIP

LCC100

가

가

ABS

6mm

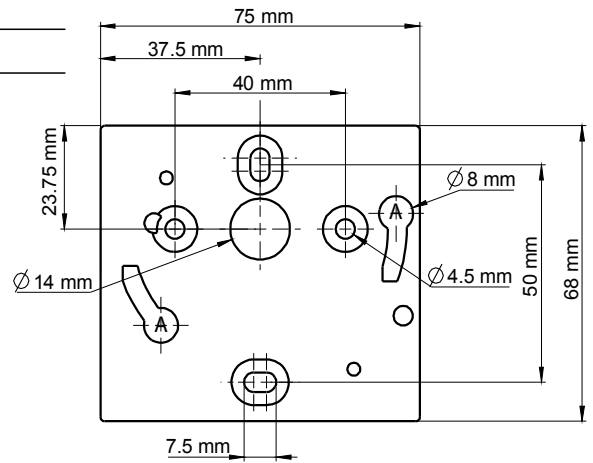
가

"A"

30



가



### OPTIONS AND ACCESSORIES

- **KIAL-100A** : Class2 , 230Vac input, 24Vac output
- **LCC-S** : USB

- Connection tube
- Connection fittings
- Through-connections
- Straight connections
- Spherical coupling nut

www.kimocorea.com

Distributed by :



EXPROT DEPARTMENT

Tel : 02-338-0023 Fax : 02-338-0083

e-mail : kimo@kimocorea.com